

MYLEK®

MY283492

2-in-1

- 1 Air cooler
- 2 Humidifier



BEFORE USE:

Please read the instructions carefully. You must inspect the appliance including its cable and plug for any signs of damage. If the product is damaged, DO NOT USE and contact your supplier immediately for refund or replacement.

www.mylek.co.uk

Introduction

General information

Please read the entire instruction manual before using the product and then save it for future reference. We reserve the right for any errors in text or images and any necessary changes made to technical data. If you have any questions concerning technical problems please contact our Customer Services on 0800 091 3171.



Intended use

This appliance is intended for use as an air cooler and humidifier. Use it for domestic purposes and in the way indicated in this instruction manual.

Best practice for your Air Cooler

We recommend using the air air cooler near an open window or door so fresh clean air can be circulated at all times. Also changing the water daily and cleaning the air filters on a regularly to keep them free from odour build up.

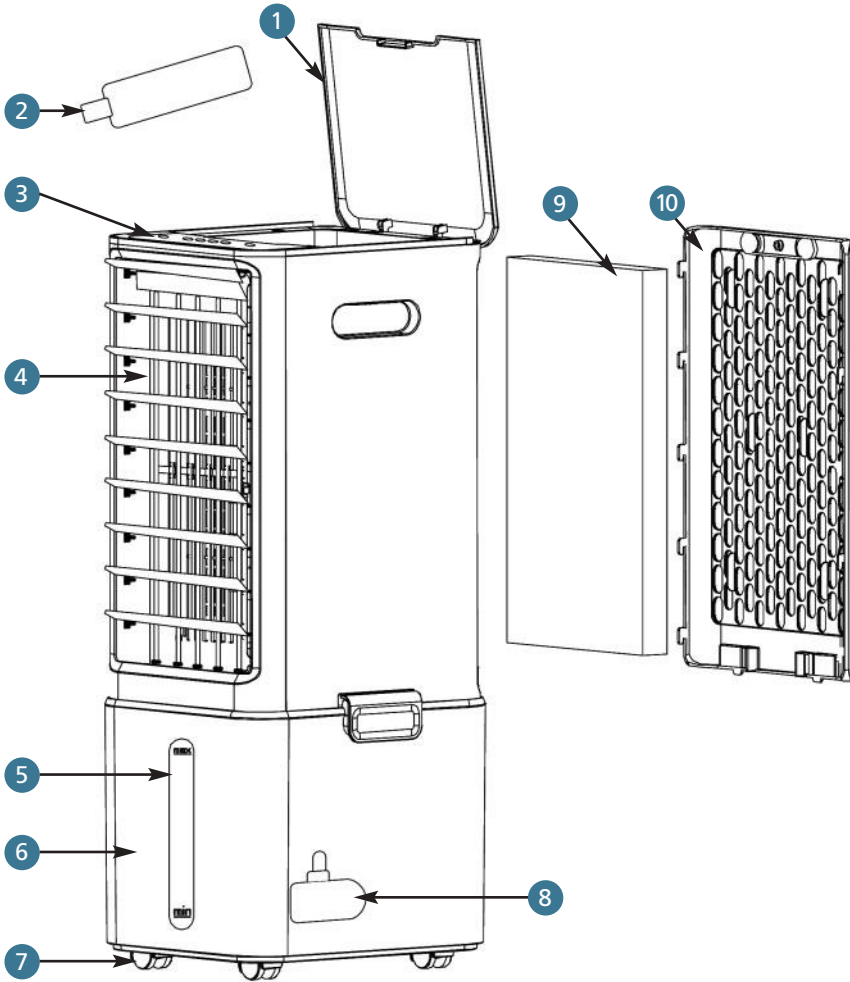


General safety warning

1. The appliance is to be operated by responsible adults only after reading and understanding these instructions. Children from 16 years and above and persons with reduced physical, sensory or mental capabilities shall only switch on/off the appliance provided that it has been placed or installed in its intended normal operating position and they have been given supervision or instruction concerning use of the appliance in a safe way and understand the hazards involved. Children less than 16 years shall not plug in, operate, regulate and/or clean the appliance or perform user maintenance.

2. Children should not play with the appliance and if less than 3 years old should be kept away unless continuously supervised.
3. Use as per the voltage rating label required.
4. Do not repair or make mechanical alterations to the appliance. It should be repaired by a qualified person or returned to the distributor if faulty.
5. Do not operate the appliance with wet hands.
6. If the supply power cable is damaged, it must be replaced by the manufacturer, its service agent or a similarly qualified person.
7. When the appliance is not in use switch it off and unplug.
9. Do not insert foreign objects into the air outlets and inlets. This could damage the unit and is dangerous.
9. Do not use the appliance near combustible gas and/or any source of heat.
10. Only use the appliance on a flat surface.
11. Do not use outdoors.
12. The level of water in the water tank should not go over the "MAX" indicator on the scale at any time. During operation the total level of water in the water tank should not go below the "MIN" indicator on the scale at any time.
13. After adding water to the water tank, do not tilt or knock over the appliance. The unit should remain stable on a flat surface once water is added to avoid spillage.
14. Do not turn the appliance over. If it is knocked over with water in the unit, turn off and unplug from the power supply immediately. The unit should then be checked by a qualified person or returned to your place of purchase for examination and repair.
15. Do not cover the air vents.
16. Clean the unit with a light damp cloth. Do not use any type of detergent or chemical solution.
17. Do not place air outlets and/or inlets near to walls or curtains or any other constricting environment.
18. Do not knock or shake the body of the unit when using. This may cause the appliance to stop automatically.
19. To prevent odours being emitted change the water frequently.
20. Do not use the appliance in the proximity of a bath, shower, swimming pool or any other body of water.

Main Parts



- 1. Top water compartment lid
- 2. Ice box
- 3. Control panel
- 4. Cool air outlet
- 5. Water level window

- 6. Water tank
- 7. Castors
- 8. Water pump
- 9. Wet curtain paper
- 10. Air filter

Specification

Model: MY283492
Unit size:W 240 x D 265 x H 600mm
Weight: 4.3kg
Voltage:..... AC220-240V
Frequency:..... 50-60Hz
Rated power: 65W








How to use the control panel

ON/OFF button

Press the  button to turn the device ON or OFF.

Important: Before switching the air cooler on please ensure that the front louvers are open.

SPEED button

Choose between (low) , (medium)  or (high)  buttons to select your desired fan speed.

COOL button

Please note: When using this function. When switching off the unit please make sure the COOL button and ON/OFF power button are switched off at the same time.

Press this  button only after adding cold water to the tank to the "MAX" level.

The COOL function option helps assist in increasing the humidity of the room while at the same time helping to decrease the temperature. You can place the frozen ice cube packs in the tank together with the water. The two frozen ice cube packs can be used together or one at a time.

Press the  COOL button again to to turn off the Cool Function.




Warning: When using the COOL function, water must be added to the tank and topped up regularly to avoid damage to the water pump. **NEVER** activate this function without water in the tank.

Warning: When using the COOL function operation the cooler should never be moved, moving the product whilst in use may cause water to spill or enter the electrical components of the unit, damage the product or cause serious injury.

Warning: If adding ice packs please leave the water level of the water tank just below the "MAX" level.

SWING button

Press the  SWING button, the blades will oscillate left and right. Press this button again to stop this function.

Water Pump, water pump knob installation diagram

Important: Make sure the unit is switched off and unplugged from the power outlet.

1. Place the water pump into its cradle located at the bottom of the tank (Figure 1).
2. Secure the pump by fitting the pump securing bracket with the bolt supplied (Figure 1).
3. Rotate the securing bracket so it slots over the water pump, securing the water pump into place (Figure 2).

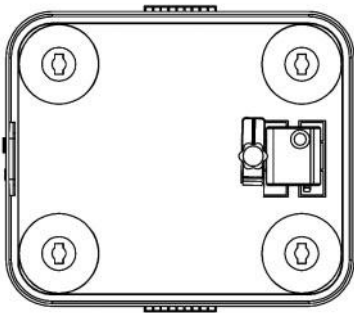


Figure 1

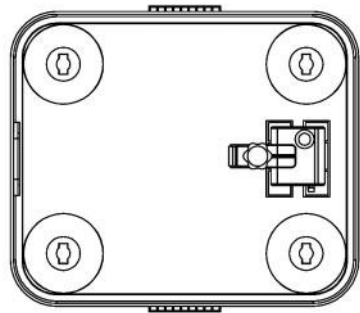


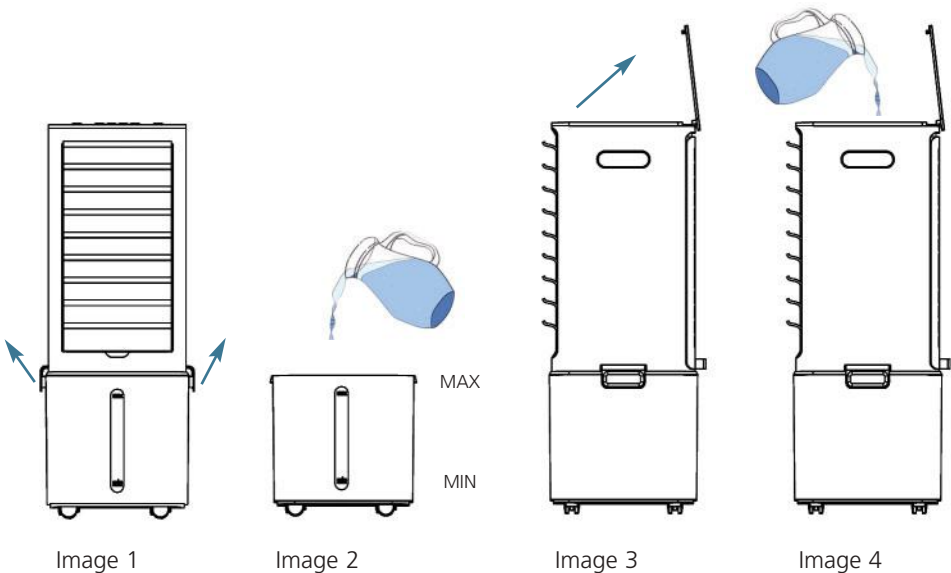
Figure 2

How to insert water into the water tank (see picture below)

Important: Make sure the unit is switched off and unplugged from the power outlet.

1. Release the side buckles on each side of the air cooler to release the water tank, then remove the whole body of the air cooler from the water tank (Image 1).
2. Use a container to add water to the water tank up to the "MAX" level. Place the air cooler body back over the water tank and secure back into place with the side buckles (Image 2 and 1).
3. For ease of use water can also be added to the upper water tank. Please make sure the unit is unplugged and switched off before attempting to add water to the top compartment.
4. Lift the top lid (Image 3).
5. Pour water into the top compartment making sure you give time for the water to run into the bottom tank, do not fill above the "MAX" level on the bottom water tank (Image 4).

Warning: If adding ice packs please leave the water level of water tank just below the "MAX" level.



How to use ice packs

Ice packs can assist and make the temperature of the water in the water tank cooler, this assists the air cooler blowing out cooler air than normal.

- When filling the ice packs with water only fill then 3/4 to allow for expansion when the water freezes. Put the ice packs in the freezer.
- You can then add an ice pack to the bottom tank or even one to the top tank for better cooling effects.

Maintenance

How to take out the air inlet filter and wet water curtain for cleaning:

1. Make sure the unit is switched off and unplugged from the power outlet.
2. Use a screwdriver to unscrew the fixing screw located at the top of the air inlet filter (Figure 1).
3. Slide the filter up and away from the body, remove the air inlet filter (Figure 2).
4. Remove the wet curtain paper filter (Figure 3).

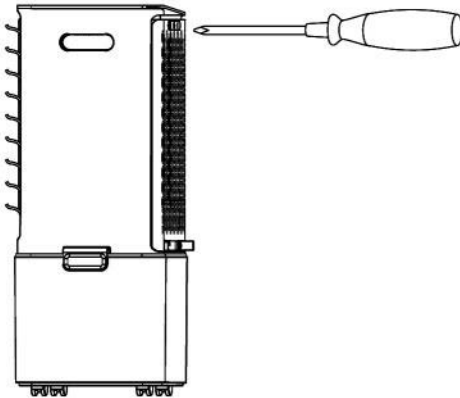


Figure 1

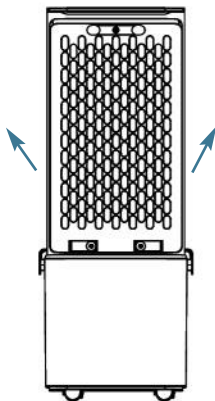


Figure 2

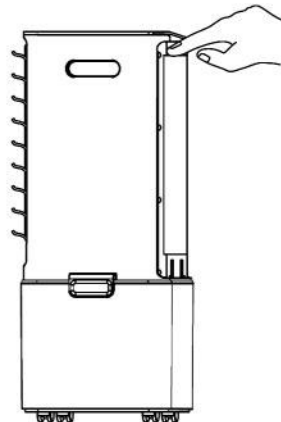


Figure 3

Cleaning

Important: Make sure the unit is switched off and unplugged from the power outlet.

1. Clean the air filter by using neutral detergents and a soft brush and then rinse through with clean water.
2. Clean the wet curtain paper filter by using neutral detergents and a soft brush and then rinse through with clean water.
3. Once cleaned install the air filter and wet curtain paper filter securely into place.

Cleaning the water tank

Important: Make sure the unit is switched off and unplugged from the power outlet.

Simply wipe the inside of the tank using a clean cloth, mild detergents can also be used. Remove any lime scale that may have built up. Once cleaned simply connect the water tank securely back to the air cooler.

Cleaning the housing (outside of the air cooler)

Important: Make sure the unit is switched off and unplugged from the power outlet.

Simply wipe the outside of the air cooler using a clean damp cloth.

Environmental Responsibilities



The crossed-out wheeled bin symbol indicates that the item should be disposed of separately from household waste. The item should be handed in for recycling in accordance with local environmental regulations for waste disposal. By separating a marked item from household waste, you will help reduce the volume of waste sent to incinerators or land-fill and minimise any potential negative impact on human health and the environment.

SERVICE WARRANTY

Hygiene Supplies Direct guarantees the product free from defects in materials and workmanship for a period of 1 year from date of purchase.

Should this unit be operated under conditions other than those recommended, at voltages other than the voltage indicated on the unit, or any attempts made to service or modify the unit, then the warranty will be rendered void. The product you buy may sometimes differ slightly from illustrations. This warranty is in addition to, and does not affect, your statutory rights.

If you have any problems with this product, please call our Help Desk on 0800 091 3171 or email sales@hygienesuppliesdirect.com

Hygiene Supplies Direct Limited, Castleford, West Yorkshire WF10 1PA declares that the 2-in-1 Air Cooler is exclusively manufactured and imported for Mylek Limited.